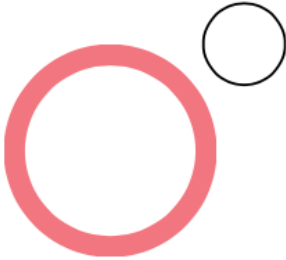


Pi Day Scavenger Hunt

π


Be the first to find the following math-themed items in your home.



A toy that is a circle



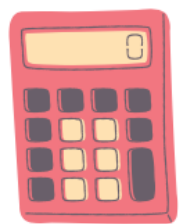
The numbers 314




A pie or picture of a pie



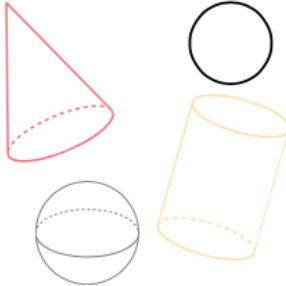
Something that starts with "pi" (pillow, pineapple, etc)



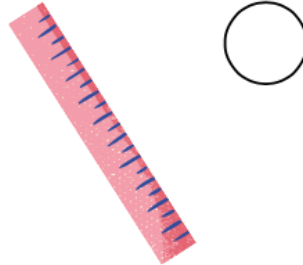
A calculator




The words "circumference", "diameter", or "radius" in a book or magazine



A 3-D circle (sphere, cone, cylinder)



Something measuring 3.14 inches or centimeters or feet



Something that weighs 3.14 ounces or pounds

